



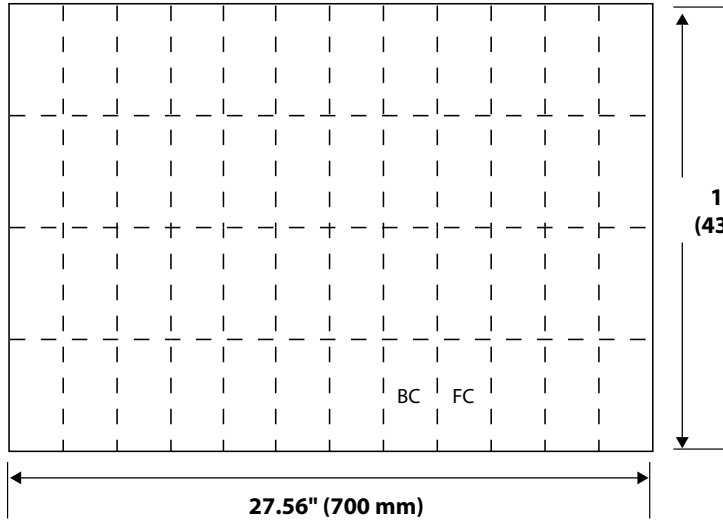






### IFU PRINTING SPECIFICATION SHEET

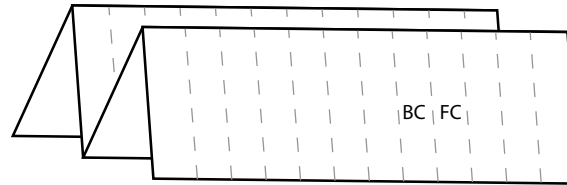
#### PAGE LAYOUT



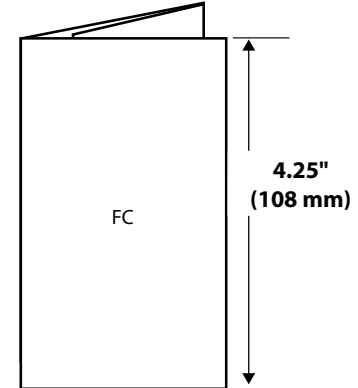
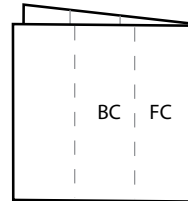
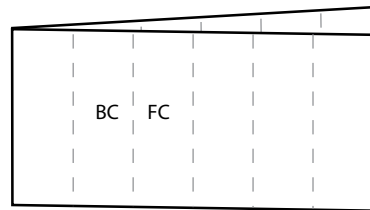
27.56" (700 mm)

Flat Size

#### FOLD PATTERN



17.01"  
(432 mm)



4.25"  
(108 mm)

2.30" (58.33 mm)

Folded Size

TITLE <b>MONOCRYL™ SUTURE</b>		DESCRIPTION <b>Map IFU</b>		LAB NUMBER <b>LAB0012859v6</b>		SPECIAL INSTRUCTIONS/COMMENTS <b>See Nordersted RMS VPP833AUE and VPP833A for tolerance and packaging requirements.</b>			BINDING <b>n/a</b>		COLORS <b>Black</b>		
FLAT SIZE <b>27.56" x 17.01"</b> <b>700 mm x 432 mm</b>		FOLDED SIZE <b>2.30" x 4.25"</b> <b>58.33 mm x 108 mm</b>		RMC NUMBER <b>8751375</b>	PAGE COUNT <b>2</b>	LANGUAGES <b>AR, BG, CS, DA, DE, EL, EN, ES, ET, FI, FR, HR, HU, IT, KO, LT, LV, MK, NL, NO, PL, PT, RU, SK, SL, SR, SV, TR, ZH-CN, ZH-TW</b>				SELF COVER <input checked="" type="checkbox"/>	PLUS COVER <input type="checkbox"/>	SEALING METHOD <b>n/a</b>	WAFER SEAL <input type="checkbox"/>
BLEED SIZE <b>.5" (12.7 mm)</b> <input type="checkbox"/> <b>.125" (3.175 mm)</b> <input checked="" type="checkbox"/>		NONE <input type="checkbox"/>	BLEED ALL SIDES <input type="checkbox"/>	BLEED TOP <input type="checkbox"/>	BLEED RIGHT <input checked="" type="checkbox"/>	BLEED LEFT <input checked="" type="checkbox"/>	BLEED BOTTOM <input type="checkbox"/>	<b>DRAWING IS NOT TO SCALE: DRAWINGS REFLECT INFORMATION FOR PRODUCTION OF PRINTED PIECES AND DO NOT CONTAIN ACTUAL ARTWORK.</b> This document or data herein or herewith is not to be reproduced, used or disclosed in whole or part without the permission of Ethicon, Inc.					
STOCK <b>45 g/m<sup>2</sup></b>						<b>ETHICON</b>							